

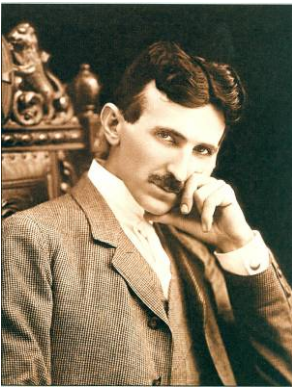
TESLA'S VISION ABOUT GRAVITATIONAL MACHINE HAS BEEN ACCOMPLISHED

academician Veljko Milkovic

Bulevar cara Lazara 56, Novi Sad, Serbia

e-mail: milkovic@neobee.net; veljkomilkovic@gmail.com

June 11, 2011, Novi Sad, Serbia



Nikola Tesla (1856-1943) has published a philosophical paper titled as "*The Problem of Increasing Human Energy*" in "*The Century*" journal at year 1900. <http://www.tfcbooks.com/tesla/1900-06-00.htm>

Publishing house "Slavija" from Novi Sad, Serbia has published a bilingual book (Serbian & English) with illustrations and visionary paper "*The Problem of Increasing Human Energy*" at 1996, which is also the title of the book.

Many could be surprised by a vision presented by Tesla, in the last paragraph in page 56, which ended in the first half of page 57 in the book:

It is possible, and even probable, that there will be, in time, other resources of energy opened up, of which we have no knowledge now. We may even find ways of applying forces such as magnetism or gravity for driving machinery without using any other means. Such realizations, though highly improbable, are not impossible. An example will best convey an idea of what we can hope to attain and what we can never attain. Imagine a disk of some homogeneous material turned perfectly true and arranged to turn in frictionless bearings on a horizontal shaft above the ground. This disk, being under the above conditions perfectly balanced, would rest in any position. Now, it is possible that we may learn how to make such a disk rotate continuously and perform work by the force of gravity without any further effort on our part; but it is perfectly impossible for the disk to turn and to do work without any force from the outside. If it could do so, it would be what is designated scientifically as a "perpetuum mobile," a machine creating its own motive power. To make the disk rotate by the force of gravity we have only to invent a screen against this force. By such a screen we could prevent this force from acting on one half of the disk, and the rotation of the latter would follow. At least, we cannot deny such a possibility until we know exactly the nature of the force of gravity. Suppose that this force were due to a movement comparable to that of a stream of air passing from above toward the center of the earth. The effect of such a stream upon both halves of the disk would be equal, and the latter would not rotate ordinarily; but if one half should be guarded by a plate arresting the movement, then it would turn.

Tesla had countless challenges and many of his projects left enigmatic and perhaps not finished?

However, almost 100 years after the above paper was published, many surprises were happening and many replicas and analysis were made in the world about **gravitational machine with a driving pendulum**.

Why the pendulum?

Well, in the first place because it is far more efficient. Hundredfold longer it can be maintained in the movement than the wheel, the disk, the flywheel... with similar dimensions as the pendulum.

By maintaining the pendulum swing, invested energy is keep multiplying, thanks to inertial forces and gravitation: www.veljkomilkovic.com video: <http://www.youtube.com/watch?v=iNdF8mTfu4g>



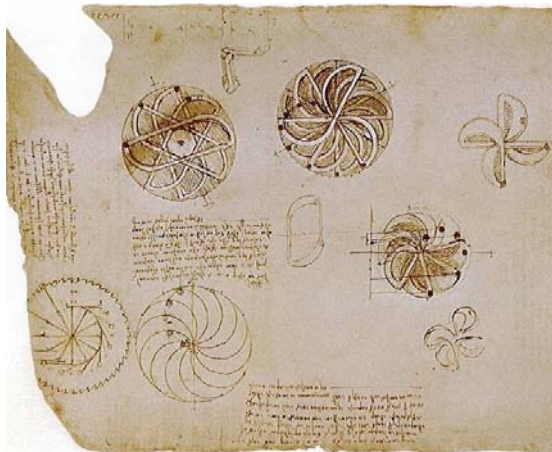
Peter Lindemann, D.Sc. "...This certainly ranks as one of the most important discoveries in science in the last 300 years..."

prof. dr. Velimir Abramovic: "...The double oscillator is also the best mechanical analogy of the alternating current, even better than Tesla's analogy..."

academician prof. dr. Bratislav Tosic: "...It is estimated that the input of gravity in the performance of biphasic oscillator is around 80%..."

Well, didn't Tesla open such possibility in the above quoted paper?

By clicking internet link, you can also see gravitational machines by Leonardo da Vinci.



"Leonardo da Vinci Gravity Machine"

http://www.veljkomilkovic.com/Docs/Veljko_Milkovic_Leonardo_da_Vinci_Gravity_Machine.pdf

as well as the papers:

"The Planet in Danger, Civilization on Test"

http://www.veljkomilkovic.com/Docs/Veljko_Milkovic_Planet_in_danger_civilization_on_test.pdf

"Revision of the Law of Conservation of Energy or Apocalypses"

http://www.veljkomilkovic.com/Docs/Veljko_Milkovic_The_Revision_of_Conservation_of_Energy_Law_or_the_Apocalyps.pdf

In the same year of 1900, Tesla was pleading for clean energy technologies and sent a message that the progress of the science and the technology will bring to the unification of the world – not at all with nuclear power stations and other dirty technologies, but with evenly distributed gravitation.

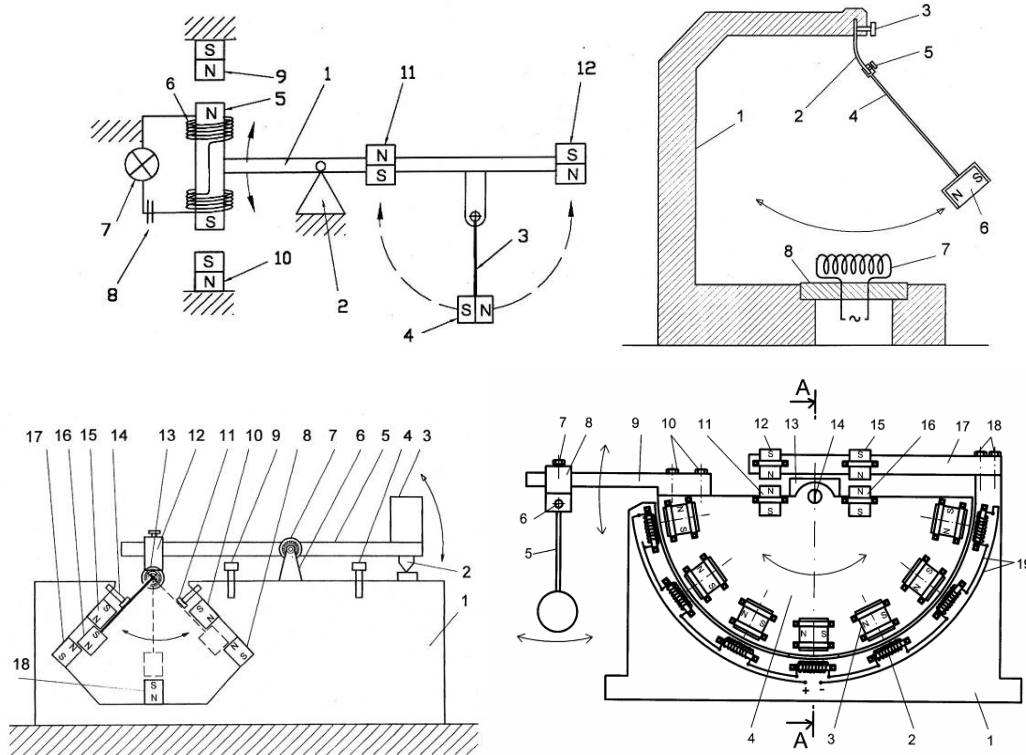
Gravitational Machines and Magnetic Motors in a Form of the Pendulum

Most frequent known attempts of the exploitation of gravitational and magnetic forces, starting from the Middle Age up till now, were using modified wheel. However, last years it was experimentally proved that the pendulum is superior in comparison with the wheel. http://www.veljkomilkovic.com/Docs/Veljko_Milkovic_Leonardo_da_Vinci_Gravity_Machine.pdf#page=3

Besides that, it was noticed that the pendulum with greater amplitude was moving faster than the pendulum with smaller amplitude. Because of that the greater amplitude was used, which wasn't studied much in the science. It was pioneer research in the field of driving pendulum with big amplitude.

As demand for clean energy is increasing, we recommend three directions of the research:

1. Gravitational machine with the pendulum
2. Oscillating magnet motor
3. Hybrid-gravitational magnet



Picture 1. Gravitational magnetic hybrids
<http://www.veljkomilkovic.com/PatentiEng.html>

<http://www.veljkomilkovic.com>

academician Veljko Milkovic

Veljko Milkovic